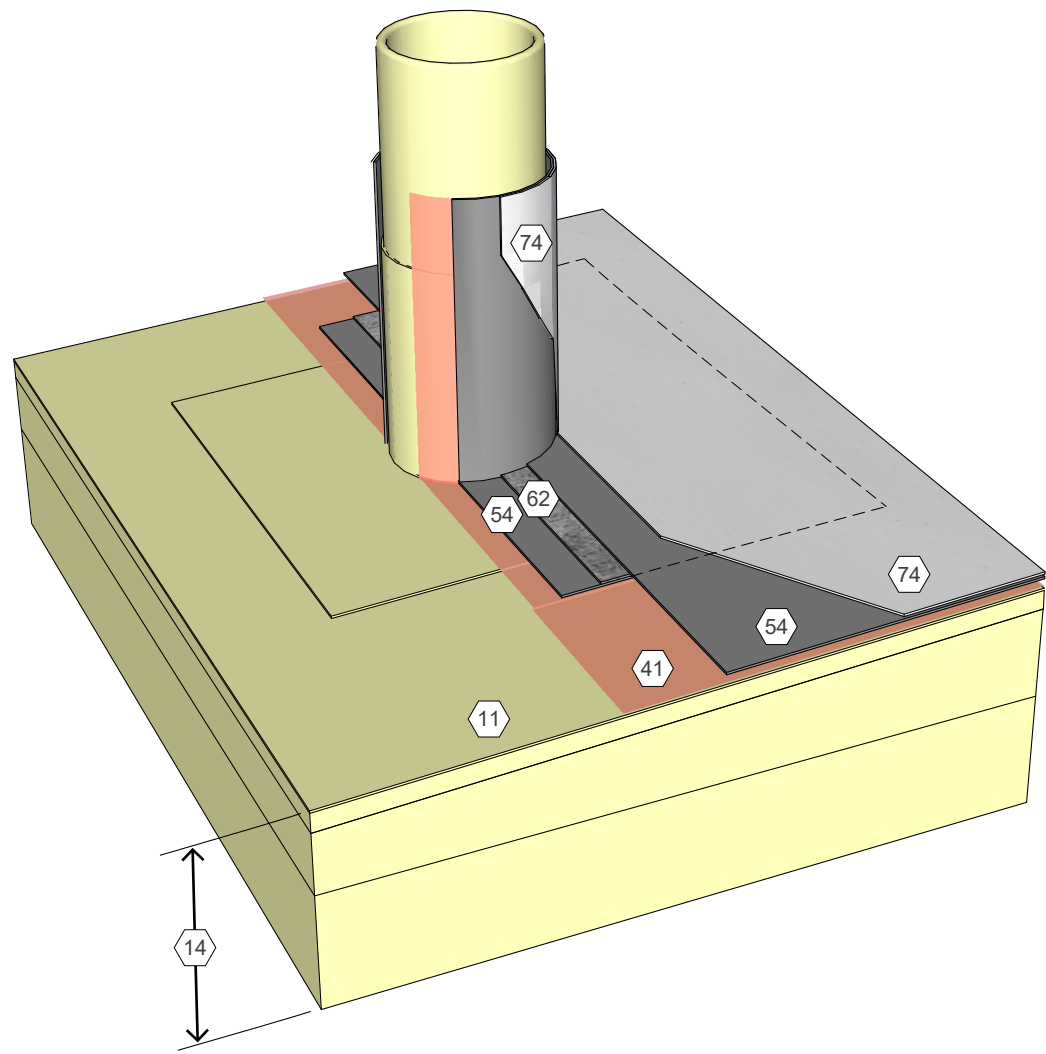


KEY NOTES

- 11 Existing Single-Ply Membrane
- 14 Existing Structural Deck and Insulation Assembly
- 41 Approved Primer
- 54 AlphaGuard Si Base Coat
- 62 Permafab
- 74 AlphaGuard Si Top Coat

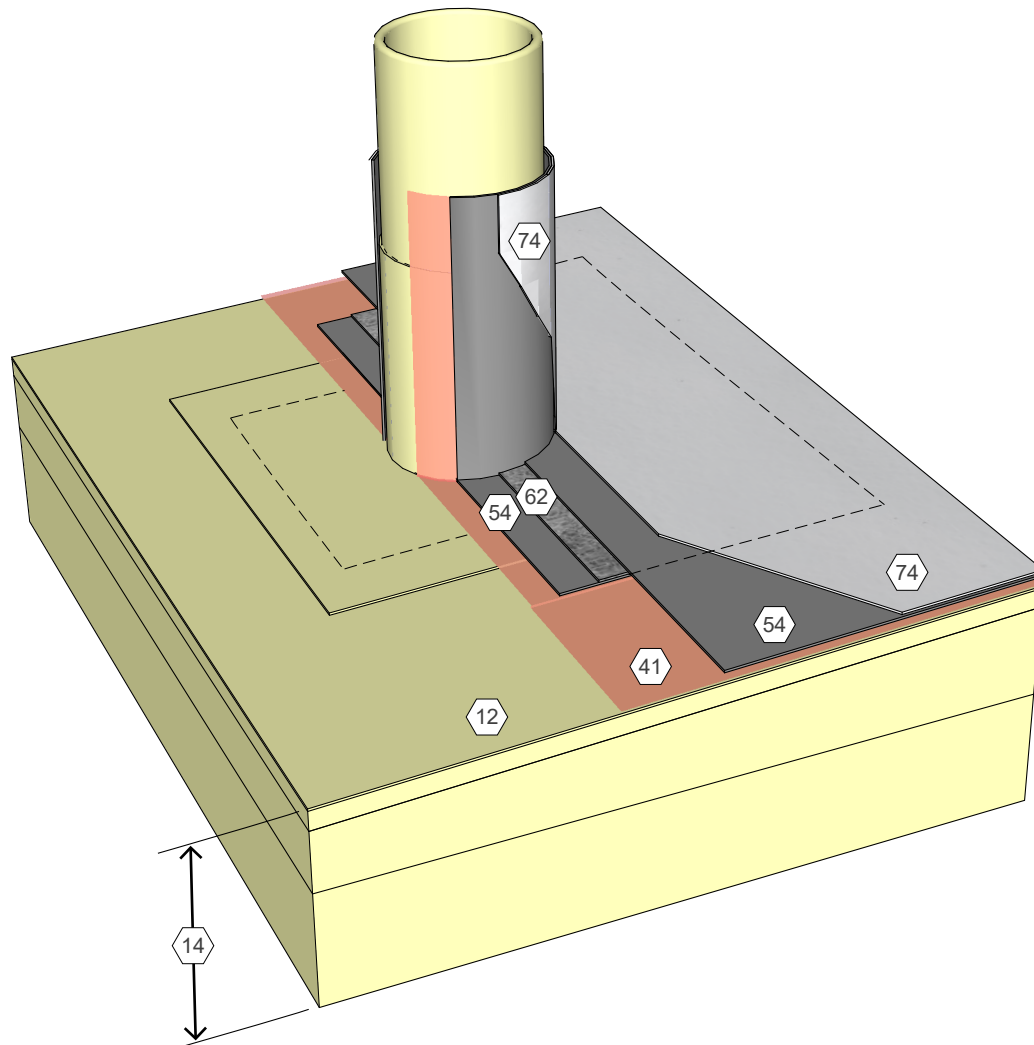


AlphaGuard® Si Restoration Detail, Single-Ply, Plumbing Vent
Detail 16181



KEY NOTES

- 12 Existing MB or Smooth BUR
- 14 Existing Structural Deck and Insulation Assembly
- 41 Approved Primer
- 54 AlphaGuard Si Base Coat
- 62 Permafab
- 74 AlphaGuard Si Top Coat



AlphaGuard® Si Restoration Detail, MB or Smooth BUR, Plumbing Vent
Detail 16182